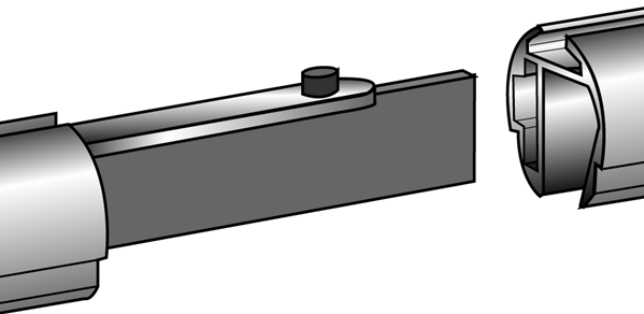


Product sheet:

STRAIGHT CONNECTOR KIT



- Metallic kit with screws to fix included
- **NB:** Available also with hanging hole (code 711109)

Family details

Code
711106

Pack
10 pcs

Synco S.r.l.

21046 GURONE DI MALNATE (VA) - Via G. Pastore, 30
Tel. 0332/420.711 (10 linee ric. Autom.) Fax 0332/425.247
e-mail: sales@syncospa.com

Codice Fiscale N. 03045040379
Partita IVA N. 01207730126
C.C.I.A.A. Varese N. 163413 R.E.A.
Reg.Imp. Di Varese N. 03045040379
Numero Mecc. VA010424